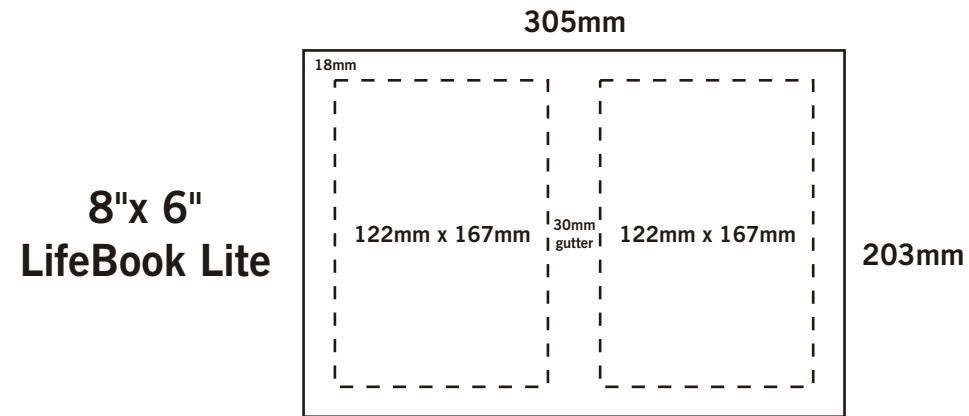
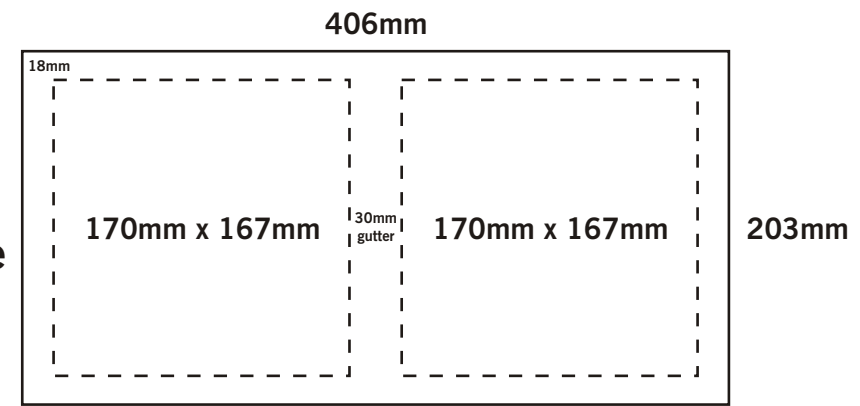


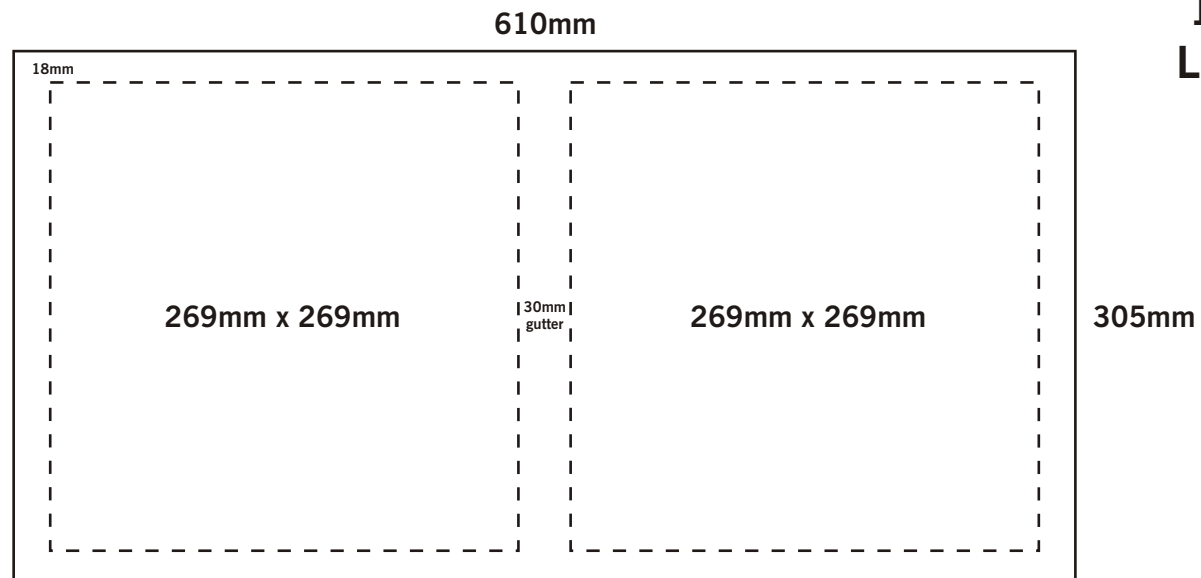
The dotted lines denote the recommended area for the placement of images.  
The sizes shown include a 3mm bleed, which should be allowed for when designing your LifeBook / Lite.  
You may of course, bridge the centrefold if your image "really works".



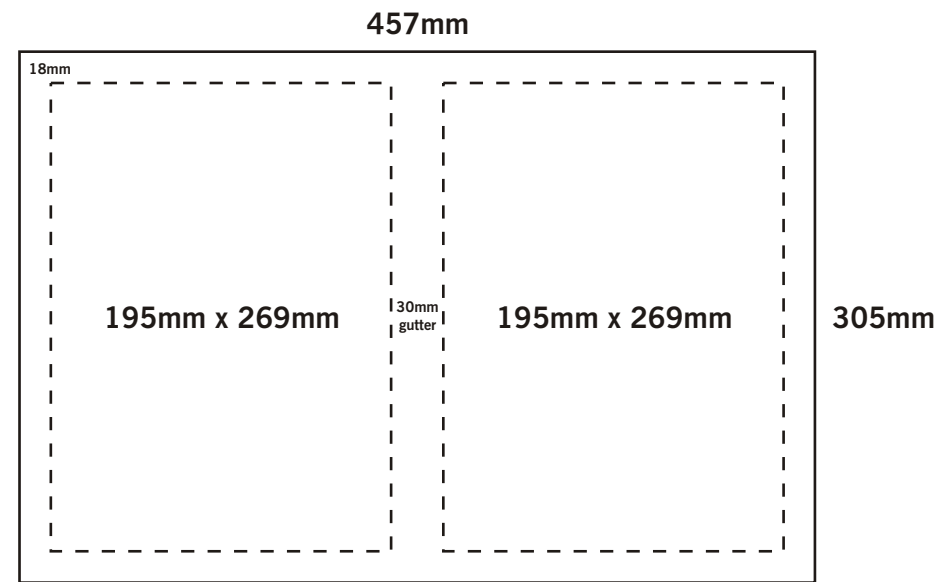
8"x 8"  
LifeBook / Lite



12"x 12"  
LifeBook



12"x 9"  
LifeBook



10"x 10"  
LifeBook

